

Trans-Positioner and Trans-Stacker with straddle legs - optimum handling of goods

High flexibility and efficiency - TP and TS with straddle legs transport, lift and handle goods on all types of pallets - also closed pallets. Large range of optional extras ensures optimum flexibility.

The design puts focus on the safety and ergonomic working conditions of the user - TP and TS can be adjusted to the individual user, and the ergonomic correct handle ensures the user a relaxed hold.

No damage to surroundings, pallets and goods. TP and TS have an elegant design with rounded corners.

High quality is ensured through an extended test program and in cooperation with experts in Health and Safety.



TRANS-STACKER & TRANS-POSITIONER (LOGIFLEX)



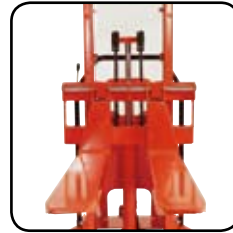
Technical Specifications

Straddle legs make it possible to handle many different pallet types.

- Optimum safety for the user through
 - central location of all control buttons on the handle
 - transparent and impact-resistant safety screen on the mast
 - location of parking brake



Available with side-tilting forks and/or optional extras, e.g. drum turner, remote control, level control, crane arm.



Adjustable forks are available in many different lengths and types.



Ergonomic handle ensures the user a relaxed hold. The handle can be marked with the name/department.

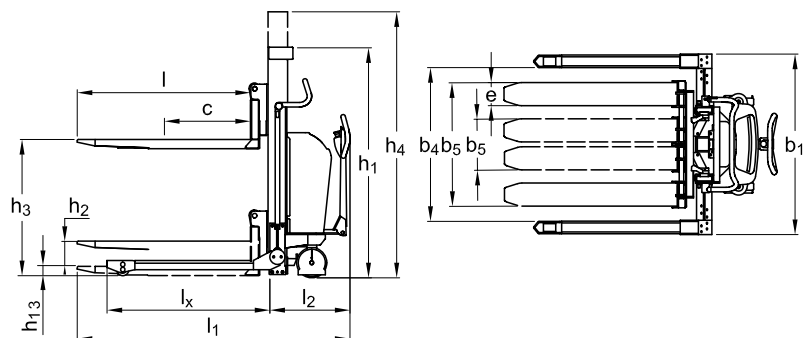
Available with manual and electric lifting.

Product (measured in inch)	TPS-MM MINI	TSS-MM MINI	TPS-ME	TSS-ME	TSS-ME	TSS-ME	TSS-ME	TSS-ME	TSS-ME	TSS-ME	TSS-ME
Capacity in lbs.	2200	2200	2200/3000	2200/3000	2200/3000	2200/3000	2200	2200	2200	2200	2200
Lifting height with wrap-over forks h_3	35	64	35	46	54	62	74	79	95	111	129
Fork length l	42, 45		23.5", 31.5", 42, 45, 60**								
Overall height h_1	52.5		52.5	60	68	76	88	98	114	130	148
Overall width b_1	27		6.5 + b_4								
Fork span min./max. b_5	Wrap-over: 13.25 / 31.5, chisel: 10.65 / 27, bar: 9 / 27			Wrap-over: 13.25 / 31.5***, chisel: 10.65 / 27, bar: 9 / 27***							
Length without forks l_2	16.35		23.25								
Overall length with 45" forks l_1	66.25	66.75	73				73.5				
Overall height h_4	52.5	79.75	Without telescopic mast					98	114	130	148
Lowered height, forks h_{13}	Chisel: 1.75, bar: 2.5, wrap-over: 2.5		Chisel: 1.75, bar: 2.5, wrap-over: 2.5								
Load centre c	l/2		l/2								
Width between legs: Cap. 2200 lbs. b_4	33.5 - 37, 37 - 44.25, 44.25 - 51.5, 49 - 56****				33.5 - 37, 37 - 44.25, 44.25 - 51.5, 49 - 56****						
Cap. 3000 lbs.					33.5 - 37, 37 - 44.25						
Fork width e	Chisel: 4.8, bar: 4, wrap-over: 6.5			Bar: 4, chisel: 4.8, wrap-over: 6.5							
Run-in length l_x	42.5 with 45 and 42 forks					42.5 with 45 and 42 forks					
Gangway A_{st}	86 (pallet: 47 x 31.5)*****					90 (pallet: 47 x 31.5)*****					
Free lift h_2			13							7.5	
Turning angle of wheels	180°					180°					
Pump motor						1,1 kW 12 V					
Lifting speed	Normal/quick: 0.3" / 1" per pump					With/without load: 2" / 2.75" per sec.					
Lowering speed with/without load	max. 7.5" per sec. / max. 2.8" per sec.			4.75" per sec. / 2.75" per sec.				4.75" per sec. / 2" per sec.			
Weight in kg without battery	628	705	622	663	677	684	703	796	812	833	941

- * Maximum lifting height 62" with 23.5" forks, maximum lifting height 95" with 31.5" forks.
- ** Reduced capacity 1650 lbs. Not available for 3000 lbs. models.
- *** 3000 lbs. models are only available with chisel forks.
- **** Width between straddle legs of more than 51.5": Max. capacity 1760 lbs. Fork length of 60" is not recommended.
- ***** Tests show that 67" is enough - depends on width between straddle legs.



Strong construction ensures a long operating life and low maintenance costs.



We also offer tailor-made solutions.
Please ask for further information or visit www.interthor.com



Interthor Inc.
1817 Beach Street - Broadview, IL 60155 - USA
Tel.: 708-345-1270 - Fax: 708-345-1290
www.interthor.com - E-mail: info@interthor.com