

### **Crane arm - lifting and carrying with a hook**

High flexibility and efficiency - the crane arm makes it easy to lift and carry heavy objects, such as machine tools, plastics moulds and components.

The crane arm with quick shift system can easily and quickly be fitted on all Trans-Positioners and Trans-Stackers with an adjustable carriage. Furthermore the crane arm can easily be replaced by one of the many fork options.

A wide range of optional extras ensures an optimum utilization of Trans-Positioners and Trans-Stackers - the same unit can be fitted with spear, platform, drum turner and reel rotator.

High quality is ensured through an extended test program and in cooperation with experts in Health and Safety.



**Technical Specifications**

The crane arm is designed to handle machine tools, moulds and components.

The crane arm has a chain with a hook. The crane arm has a quick shift system, and can be quickly and easily fitted on all Trans-Positioners and Trans-Stackers with adjustable carriage.

The length of the chain is adjustable, and can be easily and quickly adjusted without using any tools.

The maximum capacity is 1100 lbs.

Strong construction ensures a long operating life and low maintenance costs.



Quick shift makes it easy to replace the crane arm by other optional extras or forks.



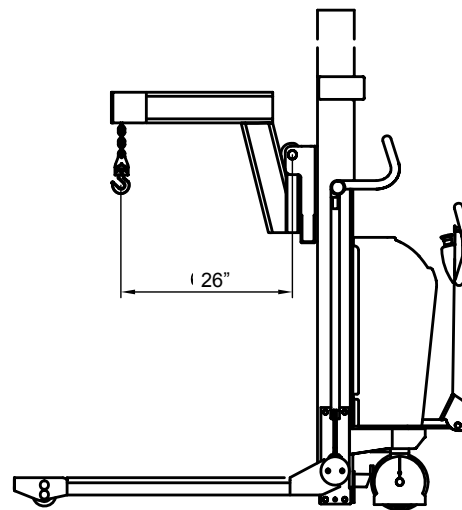
The lifting/lowering function of the electric TP & TS models can be operated by remote control (optional extra).



Interthor offers a wide range of optional extras, e.g. spear, platform, reel rotator and drum turner.



The crane arm in the component industry.



The crane arm in a company, manufacturing train components.



The chain is adjustable, and can easily and quickly be adjusted.



Available for all TP and TS models with adjustable carriage.



Metallic reels are lifted into a punching machine.

*We also offer tailor-made solutions.  
Please ask for further information or visit [www.interthor.com](http://www.interthor.com)*